

INNOVATION LEADS TO VALUE



SWE 17F MINI EXCAVATOR

◆ Total weight: 1.78t

◆ Engine power: 13.4kW/2200rpm

◆ Bucket capacity: 0.035m³

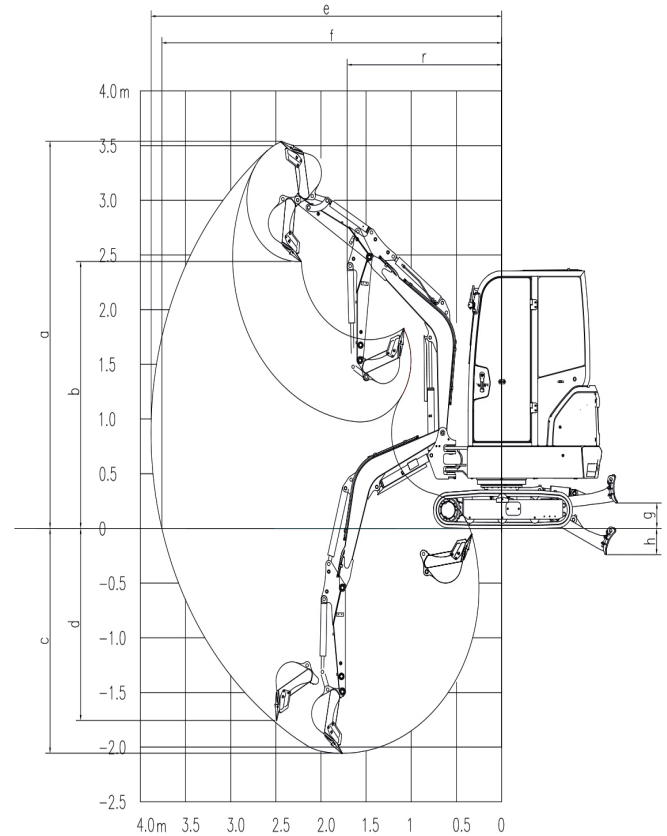


- ◆ New appearance with novel and beautiful style. Large enclosed driver cabin for more comfortable operation.
- ◆ Perfect combination of strong power and the hydraulic system. Equipped with high-performance engine for high efficiency and low emission. Fully hydraulic load-sensitive system is used for the fast and precise control of multiple elements with different load pressures at the same time, and automatic speed change function is provided for walking to meet the walking performance requirements under complex terrain conditions.
- ◆ Compact, flexible, safe and reliable. With moving arm yaw, chassis expansion and contraction and other functions for excellent cooperative operation performance in small spaces. It is the true small space construction expert.
- ◆ Reinforced structure with integral cast deflection head and connection rods for excellent appearance and more durable, reliable and safe structure.
- ◆ The spacious and comfortable cabin is equipped with 5-inch LCD screen, leather seats, heater and radio, meeting the TOPS/FOPS requirements, providing the driver with comfortable control and easy maintenance.
- ◆ Covering parts can be disassembled separately. Hydraulic components, hoses, electrical wiring harness can be easily maintained. With the flip seat, the electrical parts and power system could be maintained more conveniently.



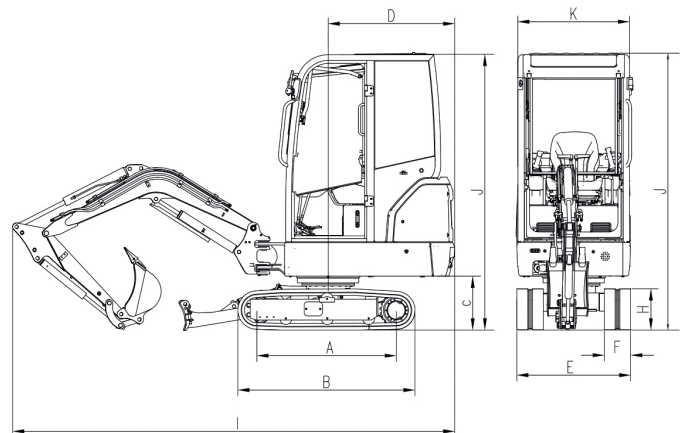
Parameters and performance of the main machine

Dimension (L*W*H)	mm	3840x990x2360	
Overall weight	With rubber track	t	1.78
	With steel track	t	\
Standard bucket capacity	m ³	0.035	
Bucket digging force	kN	21	
Arm digging force	kN	12	
Max. drawbar pull	kN	18.5	
Travel speed (Max/Min)	km/h	4.5/2.5	
Gradeability	%	57	
Ground pressure	kPa	30	
Slewing speed	rpm	10	
Engine	Brand	YANMAR	
	Model	3TNV80-SSU(EURO V)/ 3TNV80F-SSSU (US IV)	
	Max. torque	N.m/rpm	67.4/1600
	Displacement	L	1.267
	Power/Rotation speed	kw/rpm	13.4/2200
Fuel tank capacity	L	21	
Primary pump	Type	1 variable plunger pump	
	Flow rate	L/min	62
Pressure of main relief valve	MPa	24.5	
Hydraulic oil tank capacity	L	26	



Working range

	Boom length	mm	1800
	Arm length	mm	950
a	Max. digging height	mm	3535
b	Max. dumping height	mm	2440
c	Max. digging depth	mm	2060
d	Max. vertical digging depth	mm	1760
e	Max. digging reach	mm	3885
f	Max. digging reach at ground level	mm	3765
g	Max. lift height of the dozer blade	mm	240
h	Max. digging depth of dozer blade	mm	240
r	Min. swing radius	mm	1580
	Bulldozer blade length x width	mm	1360x267



Outline dimensions

A	Length to center of rollers	mm	1210	G	Chassis ground clearance	mm	160
B	Total track length	mm	1555	H	Track height	mm	352
C	Counterweight clearance	mm	460	I	Total length	mm	3840
D	Platform tail slewing radius	mm	1110	J	Cab roof height	mm	2360
E	Track width	mm	990/1360	K	Uppercarriage width	mm	990
F	Track shoe width	mm	230				

◆ The above parameters may be different due to product upgrading.

