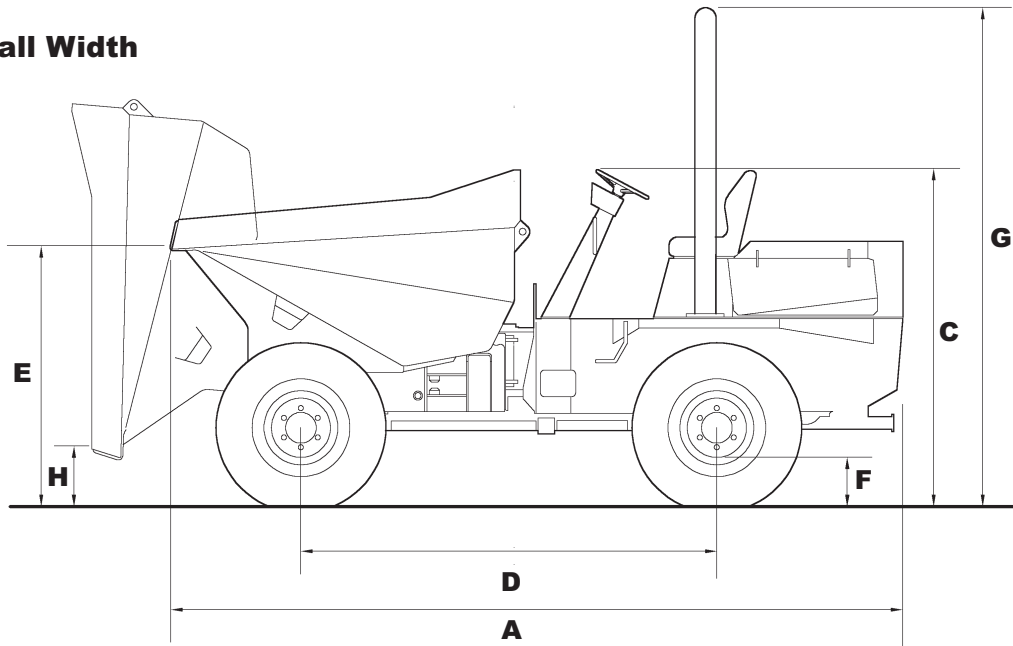


Power Tip 4WD Dumpers

B = Overall Width



Dimensions (mm)

	PT2000	PT3000	PT4000H	PT5000	PT6000	PT7000	PT9000
A	3570	3755	3706	4270	4320	4320	4330
B	1860	1950	2170	2250	2350	2500	2500
C	1770	1860	1890	2070	2160	2160	2532
D	1950	1950	1950	2450	2450	2450	2450
E	1270	1430	1460	1500	1630	1630	1722
F	275	300	330	308	380	380	410
G	2635	2680	2795	2835	2910	2910	3342
H	230	250	290	365	360	360	430
Weight	2050	2260	2520	3880	4110	4170	4880

Engine

	Engine	k.W.	h.p.	@RPM
PT2000	Kubota D1703M	24.5	32.6	2600
PT3000	Kubota V2203M	32.4	43.2	2600
PT4000	Yanmar 4TNE88	28.80	38.5	2400
PT5000	Cummins B4.5	60.0	80.0	2200
PT6000	Cummins B4.5	60.0	80.0	2200
PT7000	Cummins B4.5	60.0	80.0	2200
PT9000	Perkins 1104C-44	74.5	99.0	2200

Skip Capacities

	Payload Kg	Water Ltr	Struck Ltr	Heaped Ltr
PT2000	2000	900	1320	1720
PT3000	3000	1250	1600	1950
PT4000	4000	1420	2000	2640
PT5000	5000	1620	2450	3100
PT6000	6000	1950	2740	3780
PT7000	7000	2100	3020	3850
PT9000	9000	2360	4065	5050

Transmission

	PT2000	PT3000	PT4000	PT5000	PT6000	PT7000	PT9000
Tyre Size	10.0/75x15.3x8ply	11.5/80x15.3x8ply	12.0x18x12ply	12.0x18x12ply	405/70-20-14PR	405/70-20-14PR	500/60x22.5x16ply
Drive	3/1 manual	3/1 manual	2/2 hydrostatic	4/4 powershuttle	4/4 powershuttle	4/4 powershuttle	4/4 powershuttle
Max KPH	20.0	19.0	18.0	25.0	27.0	27.0	28.0